



product_datasheet_title

ENDURA PRO Spot Sensor 8W 4000K IP55

Dark Gray

ENDURA® PRO SPOT SENSOR | High efficiency wall sensor luminaires with narrow beam angle in innovative optical design



technical_data

ELECTRICAL DATA

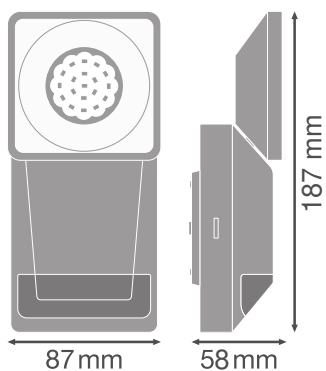
| | |
|---|---------------|
| Nominal wattage | 8.00 W |
| Nominal voltage | 220...240 V |
| Mains frequency | 50...60 Hz |
| Nominal current | 45.000 mA |
| Inrush current | 5 A |
| Inrush current time T_{h50} | 50 μ s |
| Max. number of luminaires per miniature circuit breaker B16 | 150 |
| Max. number of luminaires per miniature circuit breaker C10 | 120 |
| Max. number of luminaires per miniature circuit breaker C16 | 192 |
| Power factor λ | > 0.85 |
| Protection class | II |
| Operating mode | Mains voltage |

PHOTOMETRICAL DATA

| | |
|--|---------------------------|
| Luminous flux | 750 lm |
| Total luminous flux of contained light sources | 1070 lm |
| Luminous efficacy | 86 lm/W |
| Color temperature | 4000 K |
| Light color (designation) | Cool White |
| Color rendering index Ra | \geq 80 |
| Standard deviation of color matching | \leq 6 sdc _m |
| Flickering metric (Pst LM) | \leq 1 |
| Stroboscope effect metric (SVM) | \leq 0.9 |
| Photobiological safety group acc. to EN62778 | RG1 |
| Photobiological safety group acc. to EN62471 | RG1 |
| Beam angle | 50 ° |

DIMENSIONS & WEIGHT

| | |
|----------------|-----------|
| Length | 87.00 mm |
| Width | 58.00 mm |
| Height | 187.00 mm |
| Product weight | 306.00 g |



E SEC SPOT S 8W 750/840 IP55

MATERIALS & COLORS

| | |
|-----------------|--------------------|
| Product color | Dark grey |
| Housing color | Dark gray |
| Body material | Polycarbonate (PC) |
| Cover material | Polycarbonate (PC) |
| Mercury content | 0.0 mg |

APPLICATION & MOUNTING

| | |
|--|-----------------------------|
| Ambient temperature range | -20...+40 °C |
| Temperature range at storage | -25...+70 °C |
| Type of connection | Terminal, 3-Pole (L, N, PE) |
| Type of protection | IP55 |
| Protection class IK (shock resistance) | IK05 |
| Dimmable | no |
| Mounting type | Surface |
| Mounting location | Wall |
| Application environment | Outdoor |
| LED module replaceable | Not replaceable |
| With light source | Yes |

LIFESPAN

| | |
|----------------------------|-----------------------|
| Lifespan L70/B50 at 25 °C | 30000 h ¹⁾ |
| Number of switching cycles | 12500 |

¹⁾ t[h]: L70 / B50 @ 25 °C (Ta), t[h]: L80 / B10 @ 25 °C (Ta), t[h]: L90 / B10 @ 25 °C (Ta)

CONTROL GEAR

| | |
|----------------|--------------|
| Output current | 220...280 mA |
|----------------|--------------|




SENSOR

| | |
|--|------------------------|
| Type of sensor | Light / Motion |
| Sensor technology | Passive infrared (PIR) |
| Sensor detection angle | 180 ° |
| Sensor controlled switching time | 2 s...15 min |
| Detection range of motion sensor | 12 m |
| Detection threshold of daylight sensor | 1...1000 lx |

CERTIFICATES & STANDARDS

| | |
|--|-----------------|
| Standards | CE / EAC / UKCA |
| Luminaire with limited surface temperature, "D sign" | No |

download_data

| Documents and certificates | document_name |
|--|-----------------------|
|  User instruction | ENDURA PRO LUMINAIRES |
|  Declarations Of Conformity CE | E PRO FLOOD and SPOT |
|  Declarations Of Conformity UKCA | E PRO LUM |

logistical_data

| product_code | packaging_unit | dimensions | weight | volume |
|---------------|-------------------|--------------------------|-----------|-----------------------|
| 4058075228887 | Folding box 1 | 70 mm x 95 mm x 196 mm | 361.00 g | 1.30 dm ³ |
| 4058075228894 | Shipping box 6 | 378 mm x 219 mm x 213 mm | 2605.00 g | 17.63 dm ³ |

logistical_data_text

disclaimer_title

disclaimer_text